

LED 5/6" 12W Multi CCT Down Light Series



FEATURES

- Default CCT: 5,000K
 - 2,700K / 3,000K / 3,500K / 4,000K / 5,000K
- Commercial grade
- IP rating of 20
- 50,000 hours lifetime

SUITABLE APPLICATIONS

- Kitchens
- Bedrooms
- Bathrooms
- Corridors
- Hallways
- Museums

CONSTRUCTION:

Downlight body and endcaps are both fabricated from aluminum for maximum rigidity. Spring clips for easy installation.

OPTICAL SYSTEM:

Frosted lens. 120° beam angle

WARRANTY:

5-year limited warranty. Actual performance may differ as a result of end-user environment and application.

ELECTRICAL:

Uses a -20°C to 40°C case temperature drive. Available as 120V input.

INSTALLATION & MOUNTING:

Use torsion spring clips to install in place.

DIMMING:

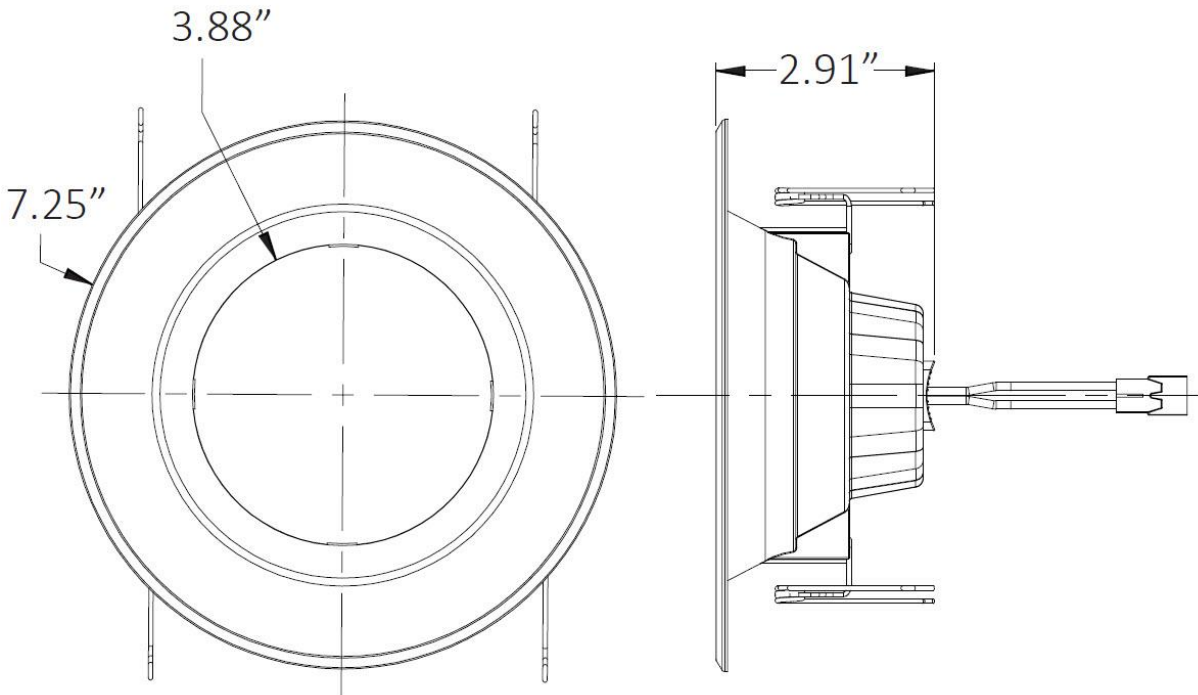
Triac Dimming.



MODEL NUMBER	WATTAGE	LUMENS	EFFICACY	CRI	POWER FACTOR	REPLACES
LOC-56DL-12WMCCT(27/30/35/40/50)	12W	950LM	79.2LM/W	92	1.0	W

Series	Size	Wattage Options	CCT Options
LOC-56DL	5/6"	12W	2,700K 3,000K 3,500K 4,000K 5,000K

MEASUREMENTS



MODEL	QUANTITY	WEIGHT	UPC CODE
LOC-56DL-12WMCCT(27/30/35/40/50)	1	0.61 lbs	00810050940450